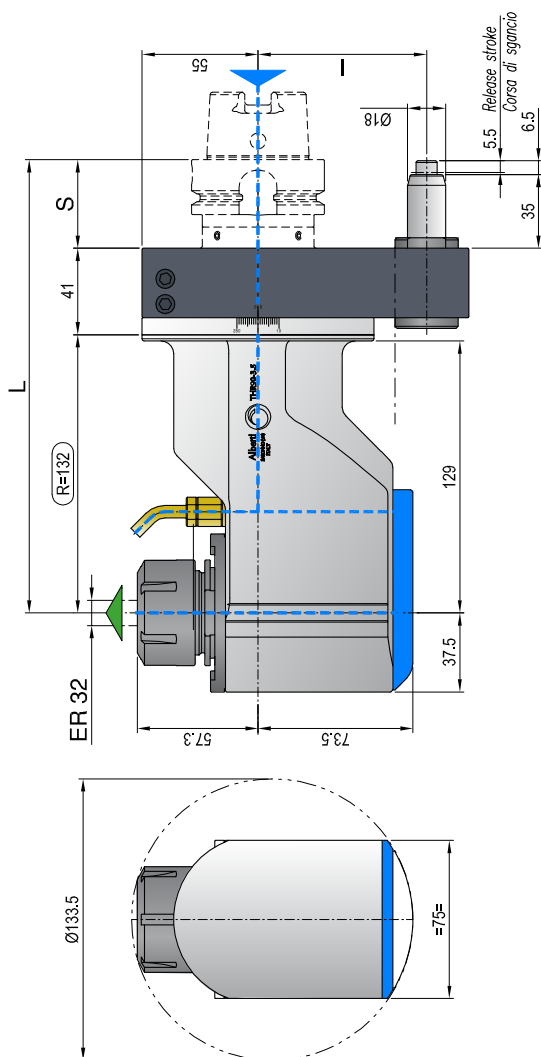


Angle Head Dimensions

Reference Only • Detailed drawings available upon request



← Direction of rotation same as machine spindle

↙ Max coolant pressure 100bar, 1450 psi

Technical Features



Ratio

1.1



RPM

8.000 min⁻¹



Max. axial load

1250 N



Torque

70 Nm



Tapping

Max. M16



Collet

ER-32

(ø2/20 mm)

INPUT TAPER	SIZE	I	S	L
DIN-69871				
	50	80-110	35	208
CAT				
MAS-BT	50	80-110	41	214
HSK	63-80	80-110	42	215
	100	80-110	45	218
CAPTO	C6	80-110	38	211
	C8	80-110	40	213
KM	63	80-110	40	213

*Dual contact spindles optional

- Also available without coolant. Maximum speed 5,000 min⁻¹

PLUS

- Available without coolant. High Speed 5.000 min⁻¹
- New drive system with pins for gear set
- Increased torque thanks to bigger gears
- One-hand wrench to tighten the tool